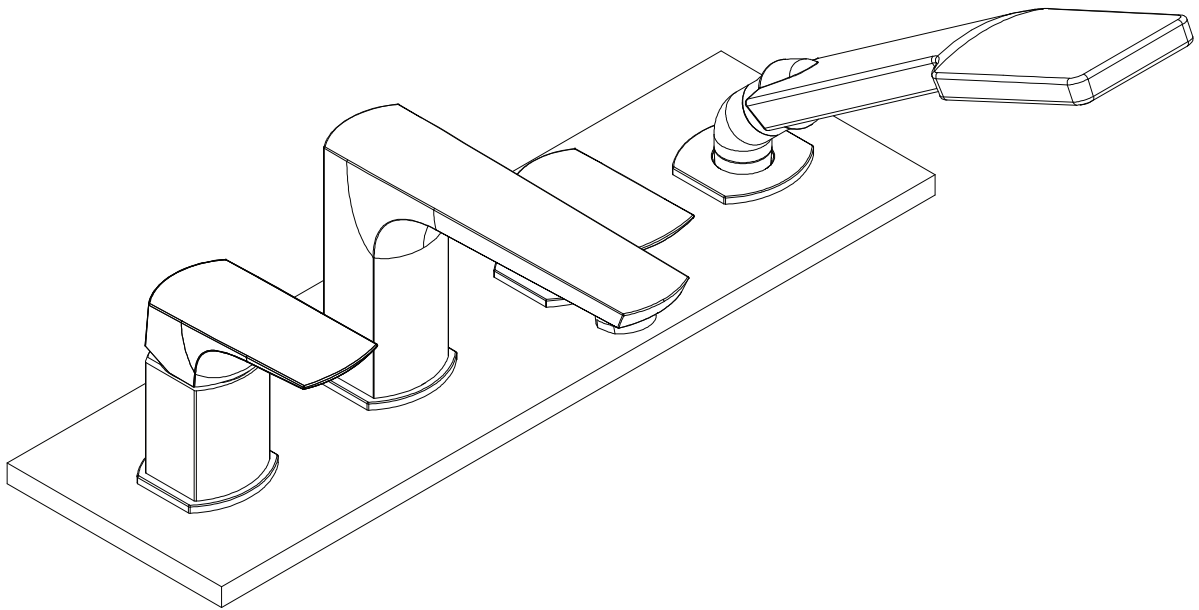
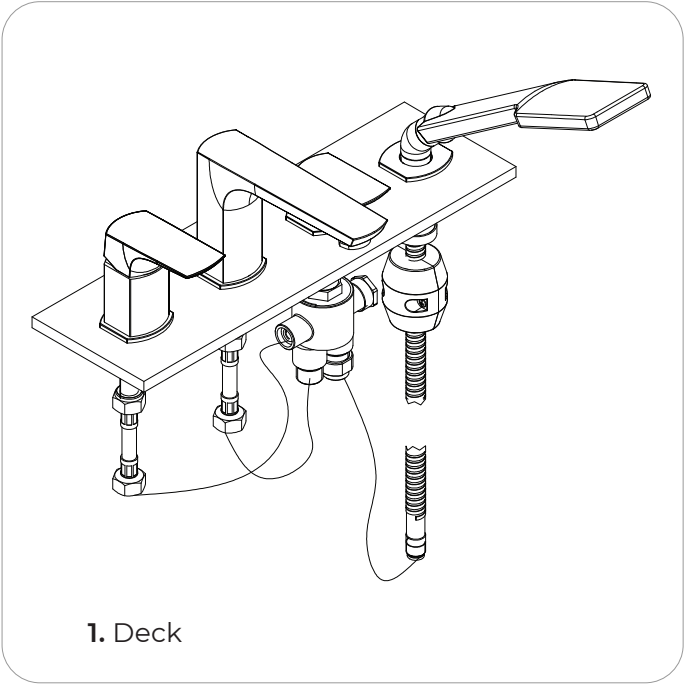


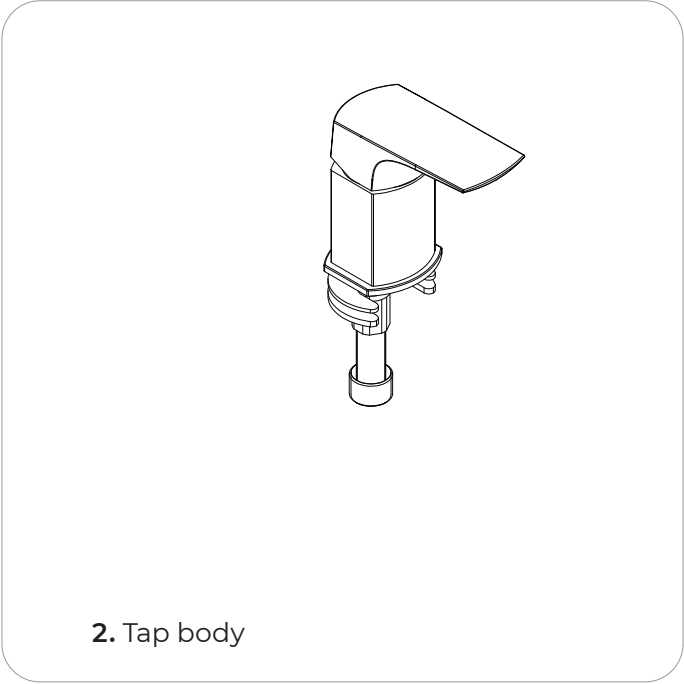
OLTENS



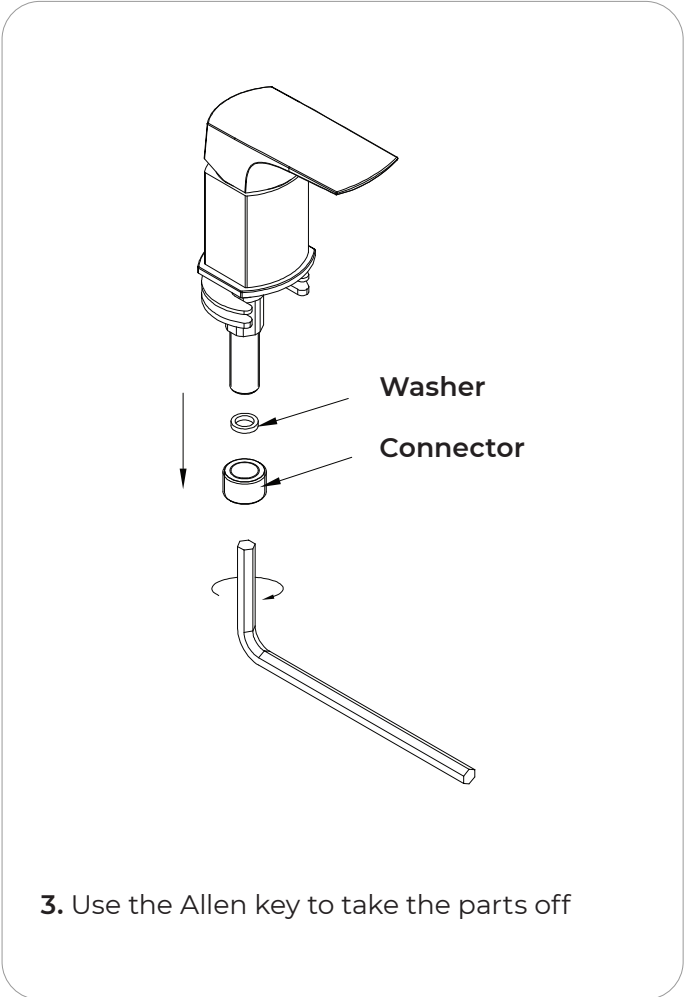
4-hole bath shower mixer tap - fitting guide



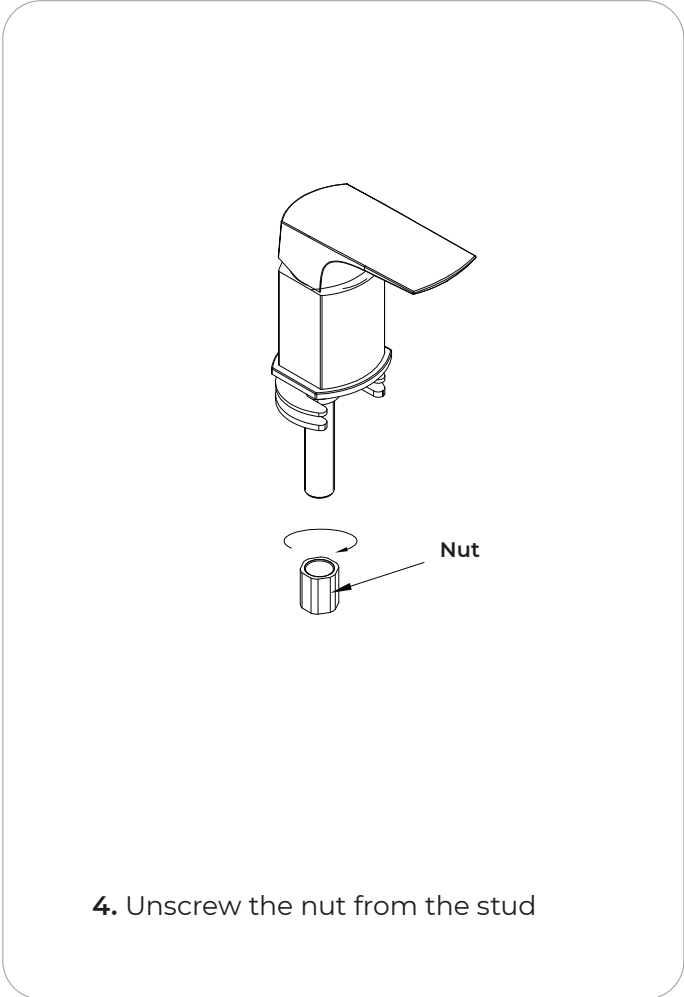
1. Deck



2. Tap body

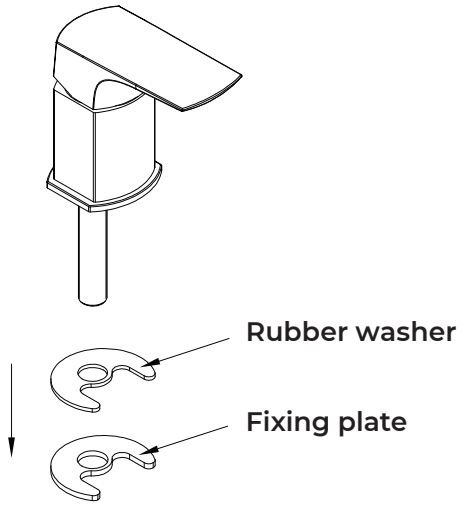


3. Use the Allen key to take the parts off

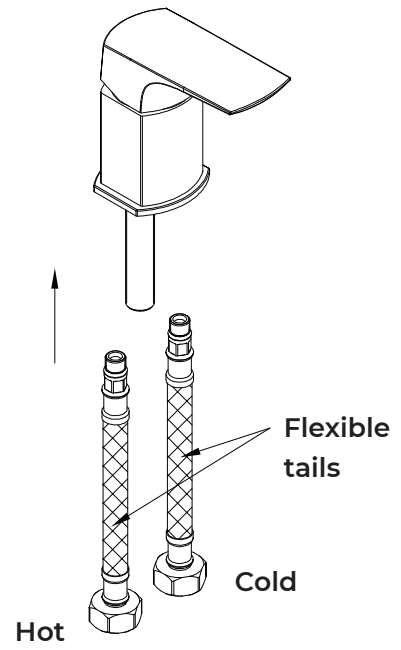


4. Unscrew the nut from the stud

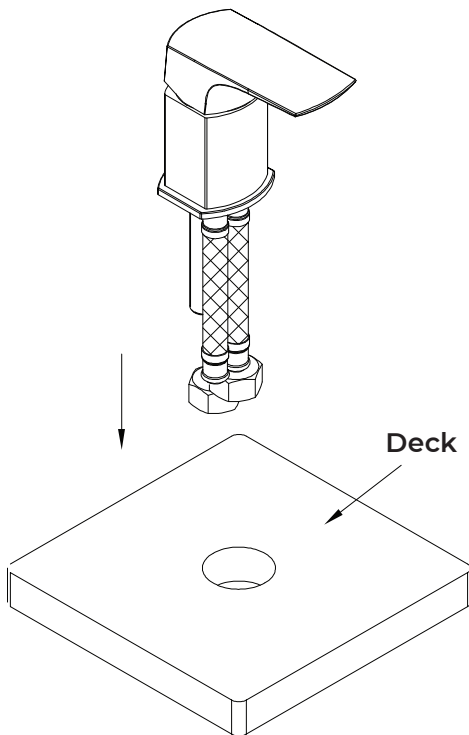
Note! The drawings are for illustration and instruction purpose only.
The appearance of the tap may be different from that seen in the drawings.



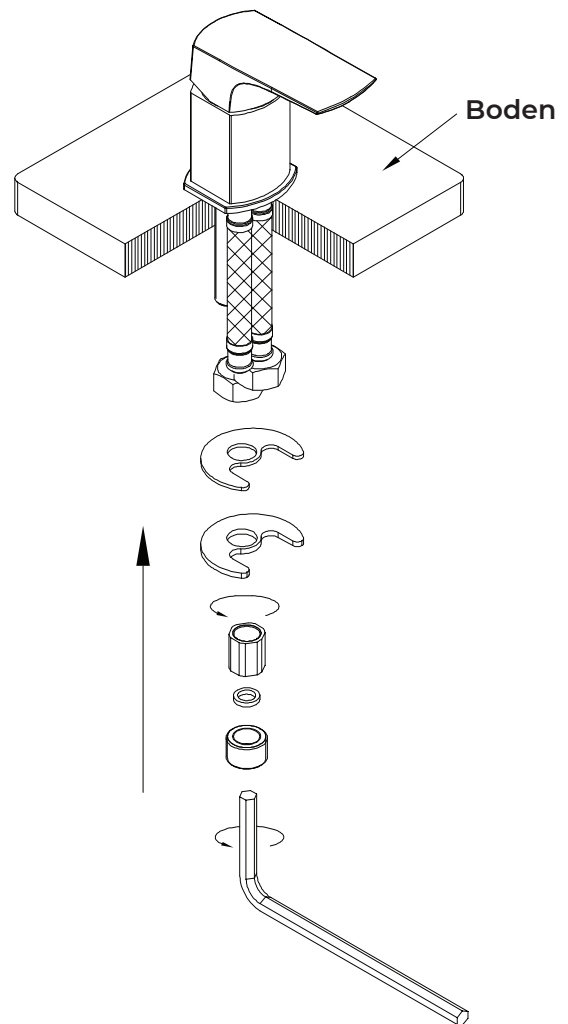
5. Take off rubber washer and fixing plate



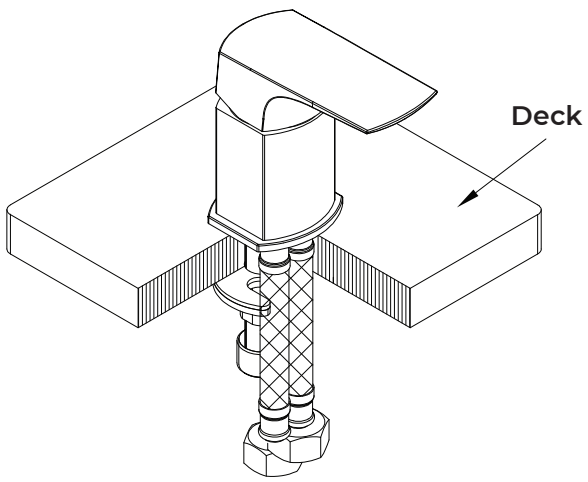
6. Screw in the flexible tails



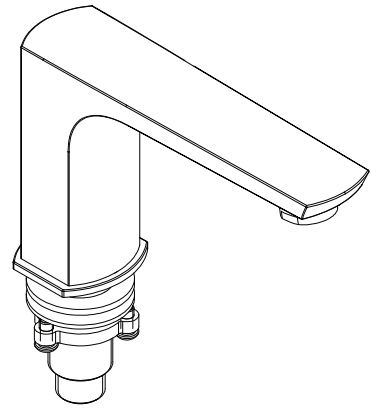
7. Fit the tap body on the deck



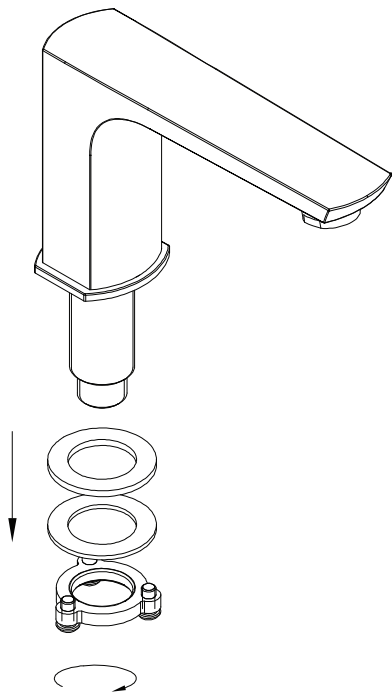
8. Fix the tap body using the parts



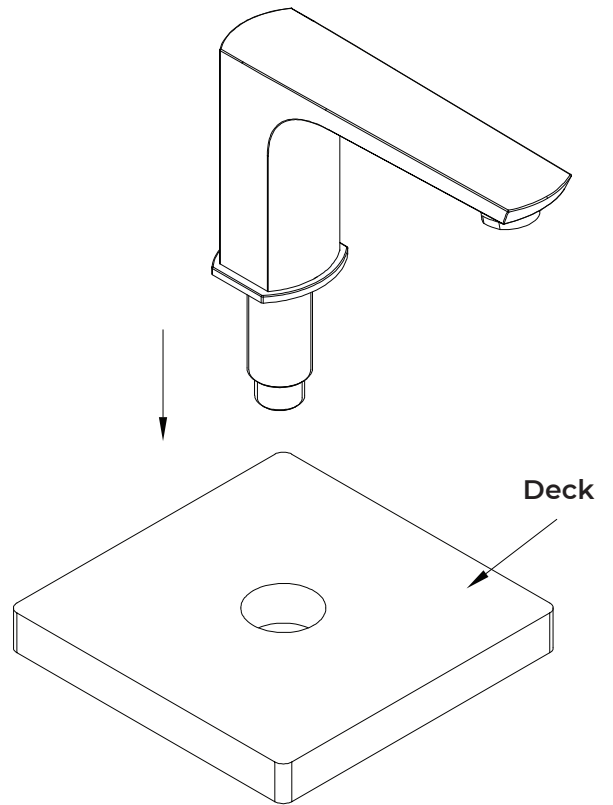
9. Installed tap body



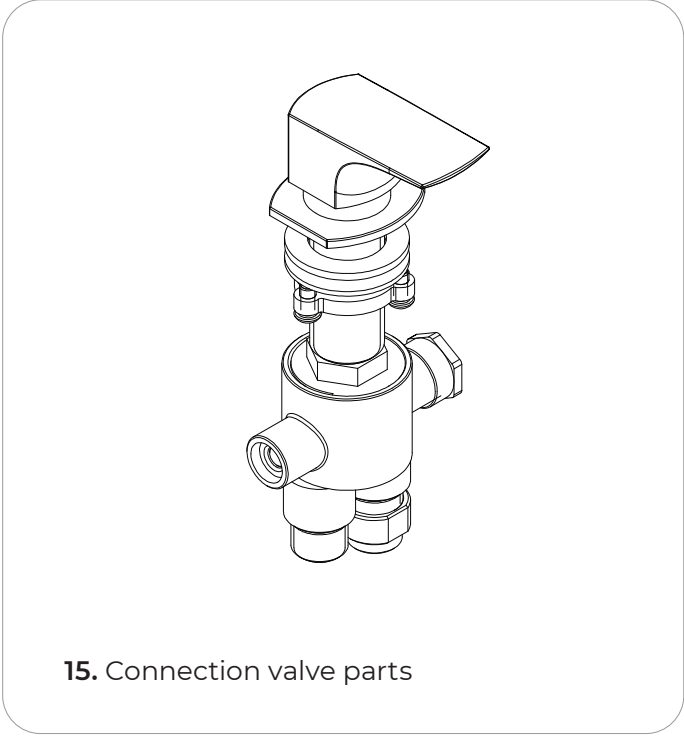
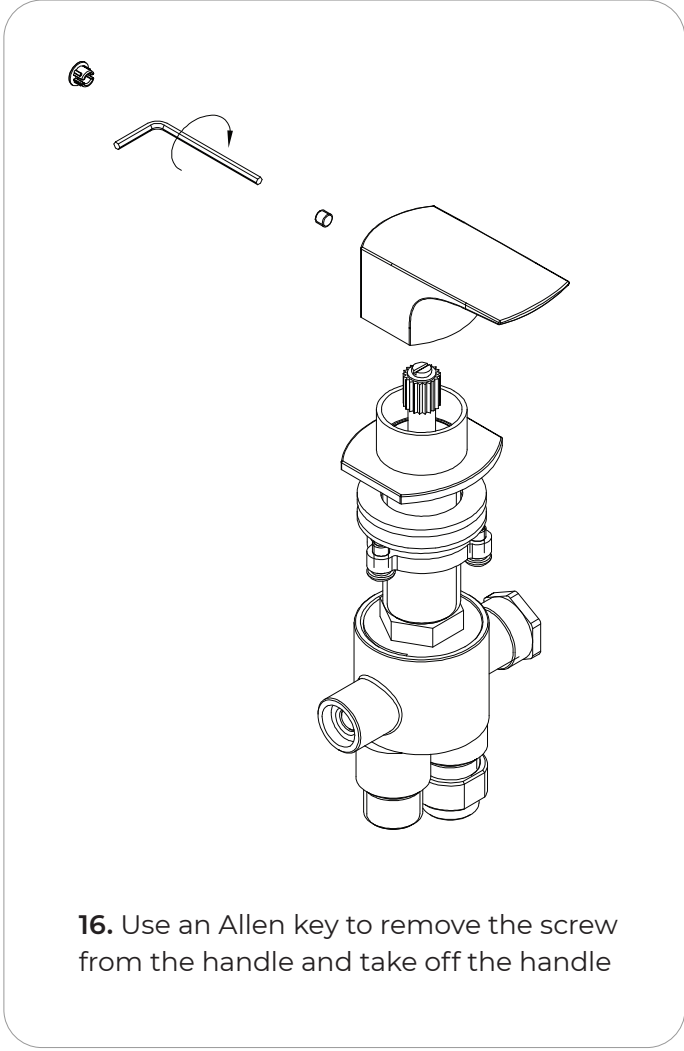
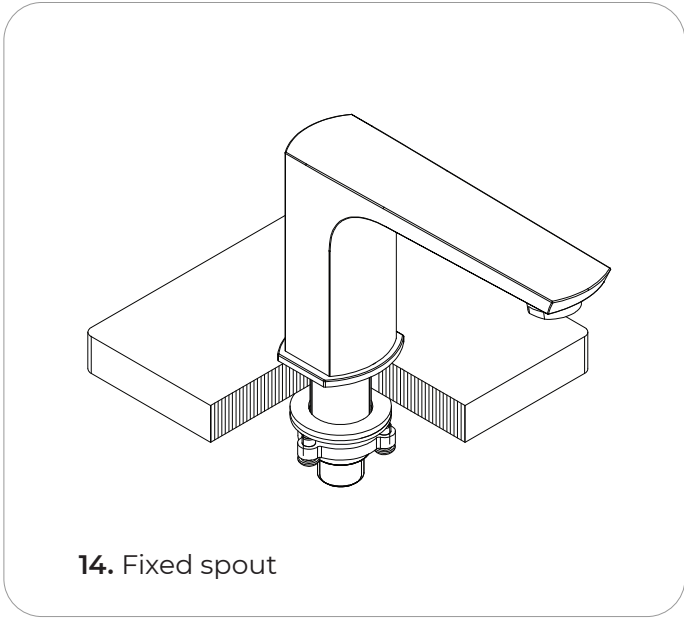
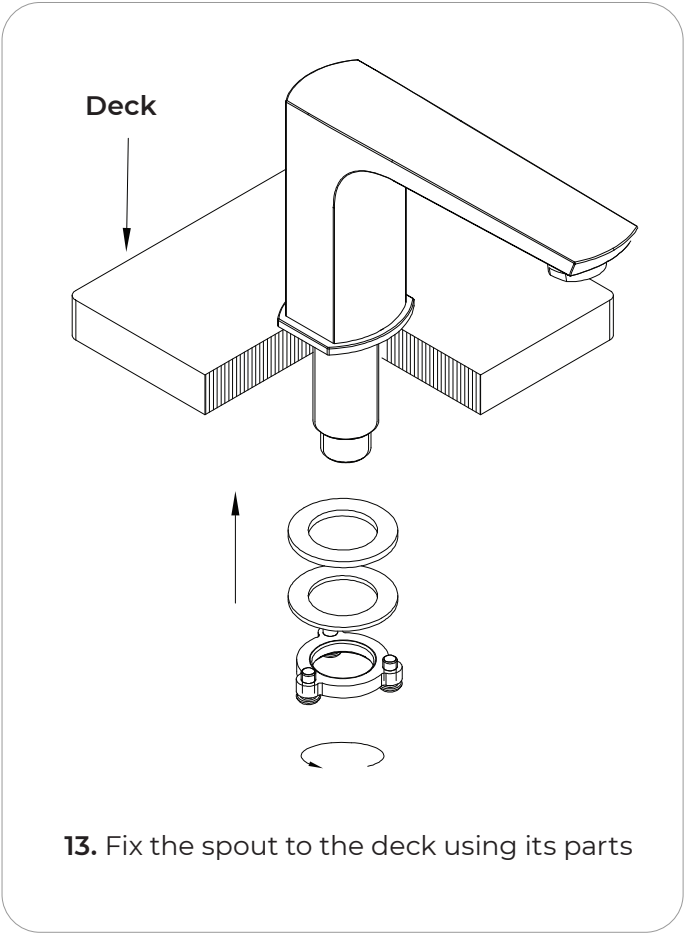
10. Spout parts

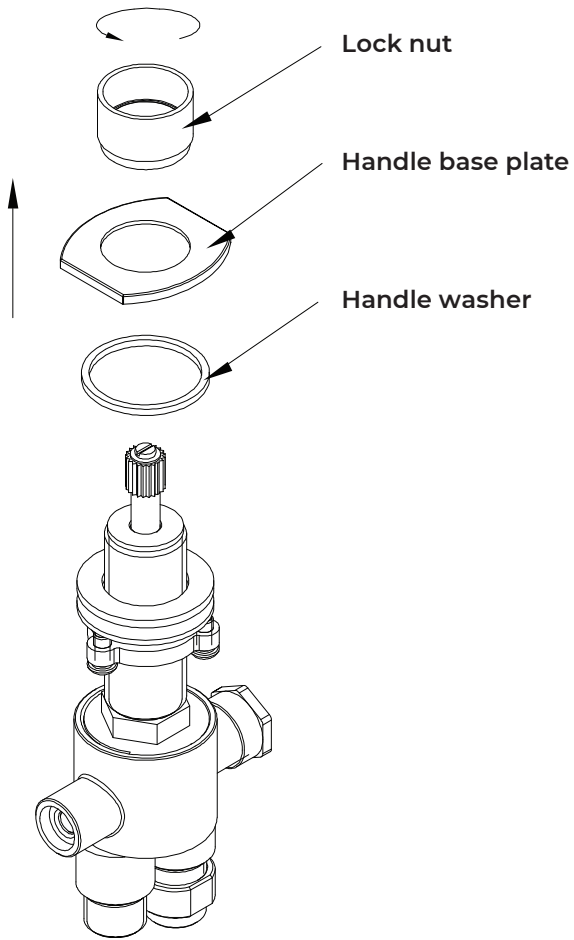


11. Unscrew spout parts

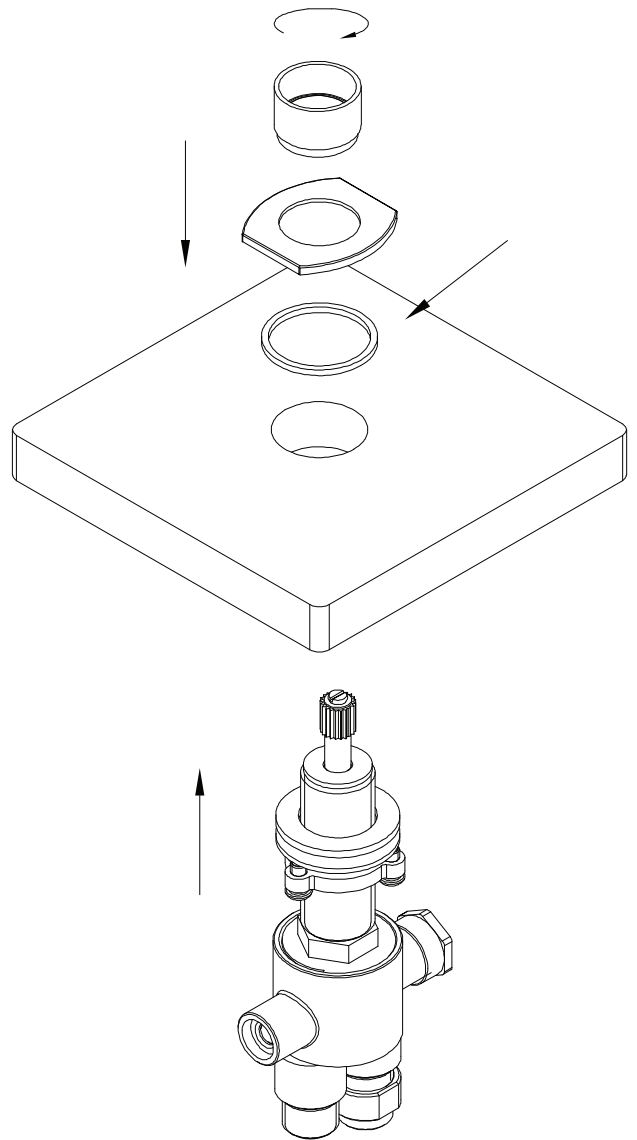


12. Install the spout on the deck

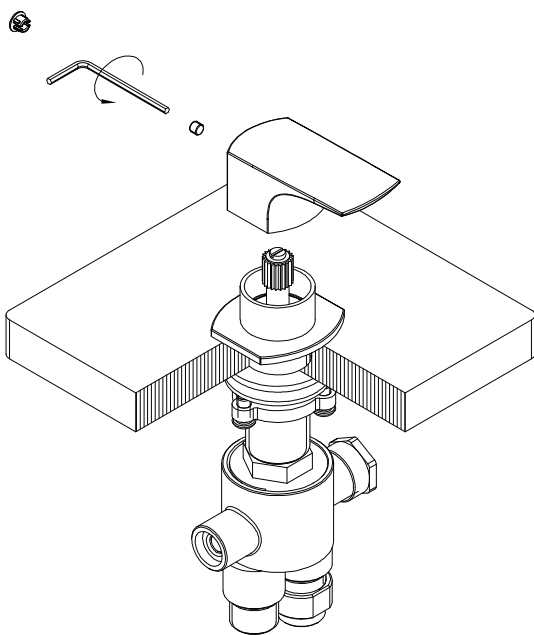




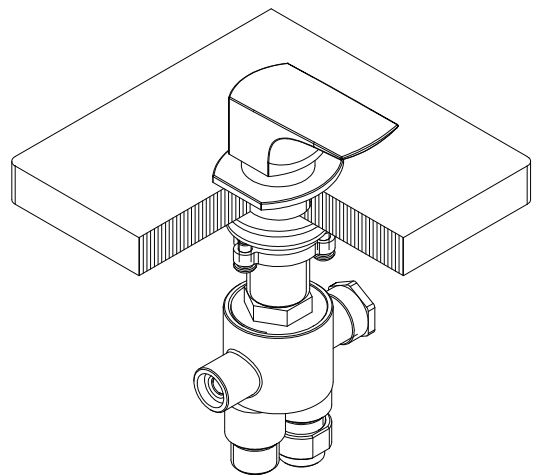
17. Remove the lock nut, take out the handle base plate and washer



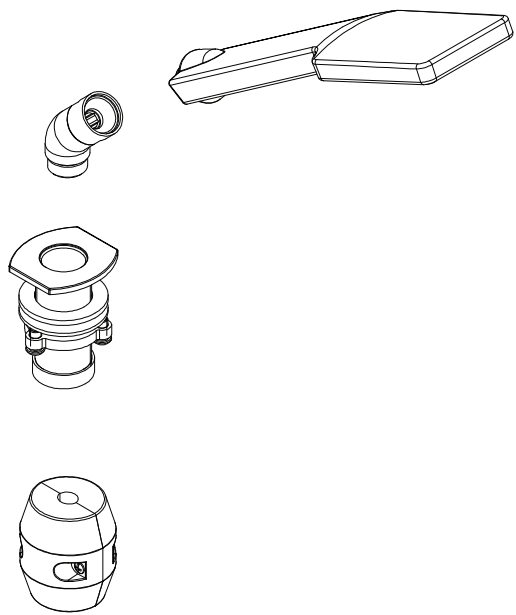
18. Install connection valve parts



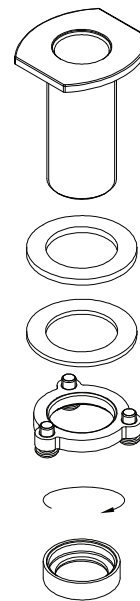
19. Install handle parts



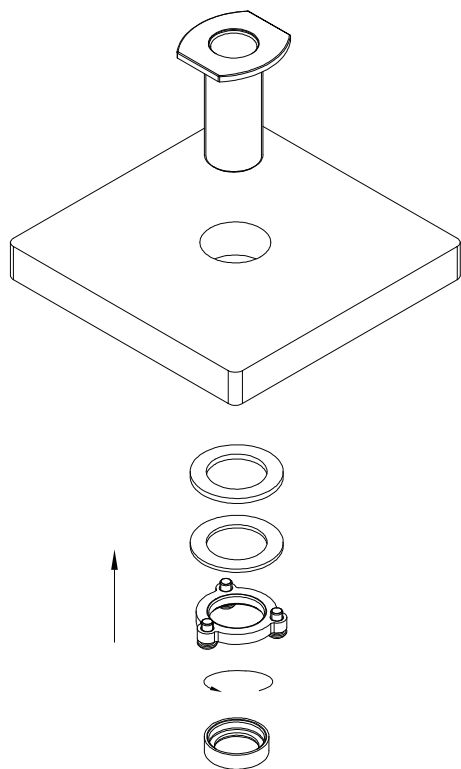
20. Fixed connection valve



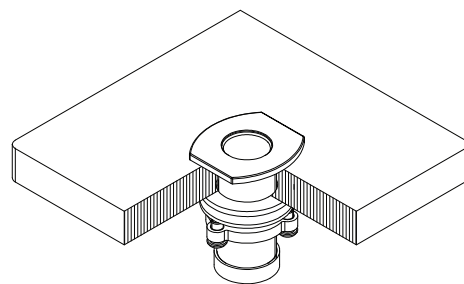
21. Hand shower parts



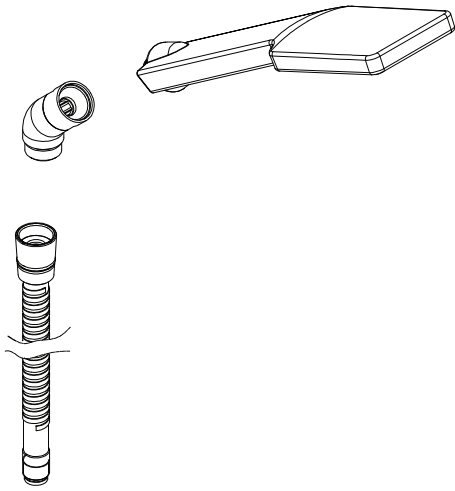
22. Unscrew parts from the hand shower base plate using an Allen key



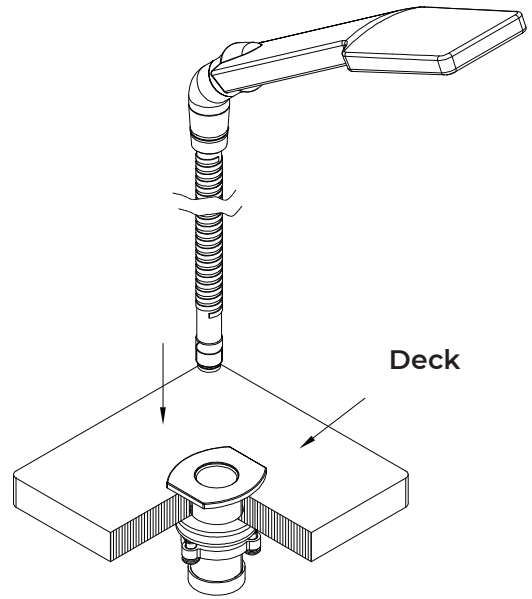
23. Install the hand shower base plate



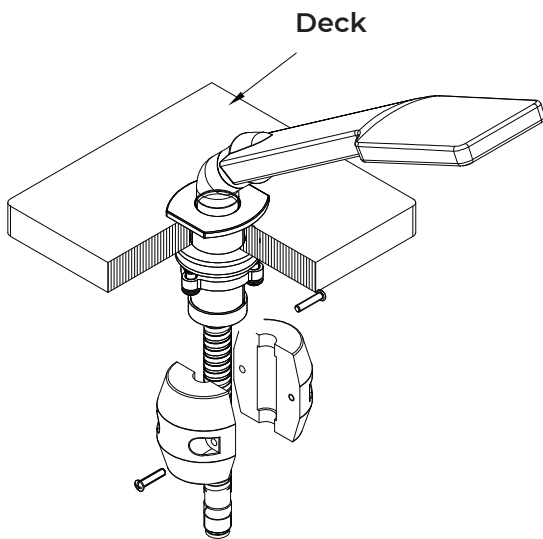
24. Adjust the hand shower base plate to the deck



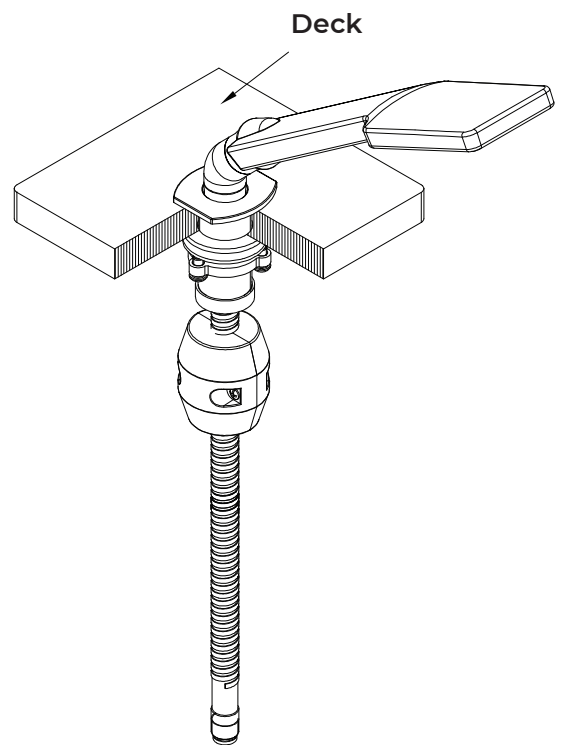
25. Connect the handset with the flexible hose using the connector



26. Install the hand shower to the deck



27. Install the block on the flexible hose



28. Element installed correctly

Technical information

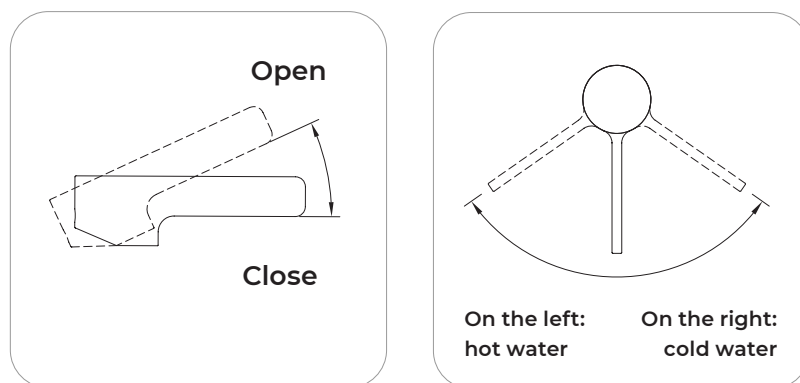
Maximum pressure **1 MPa**

Recommended pressure **0,1 - 0,5 MPa**

Maximum temperature of hot water **90°C**

Recommended temperature of hot water **65°C**

Check whether the installation of hot and cold water was done correctly.



Operation

To start the water flow and fluently adjust its rate, turn the handle vertically upwards. To increase water temperature, turn the handle left, and to reduce – turn the handle right. Positioning the handle on the extreme left results in the flow of hot water only, while placing it on the extreme right – the flow of cold water only.

Care and maintenance

Flush with clean water and wipe with a dry, soft cloth.

For heavier deposits, it is recommended to use special tap cleaning agents, preferably professional Oltens products from the NanoCare and NanoShine series.

Never use agents containing alcohol, disinfectants, solvents and strong bases.

Never clean the surface of the tap with rough cloths or cleaning agents containing abrasive materials and acids..

